



ATTENTION

If any components of this unit are broken, do not operate properly, or for product returns, please contact Pragotrade LLC at

1-800-814-4895

Outside the U.S. call 440-638-3131.

For the online catalog, log onto www.westonsupply.com.

Exclusively imported by Pragotrade LLC Strongsville, Ohio
www.pragotrade.com

ADDITIONAL ACCESSORIES AVAILABLE

PVC Bag Neck Sealing Tape
2 Rolls of 3/8" x 125 yards (1 cm x 114 m) Tape 11-0103

These products and many more products can be ordered by visiting www.westonsupply.com or by calling Pragotrade LLC Toll Free at 1-800-814-4895
Monday thru Friday 8:00am-5:00pm EST.
Outside the U.S. call 440-638-3131



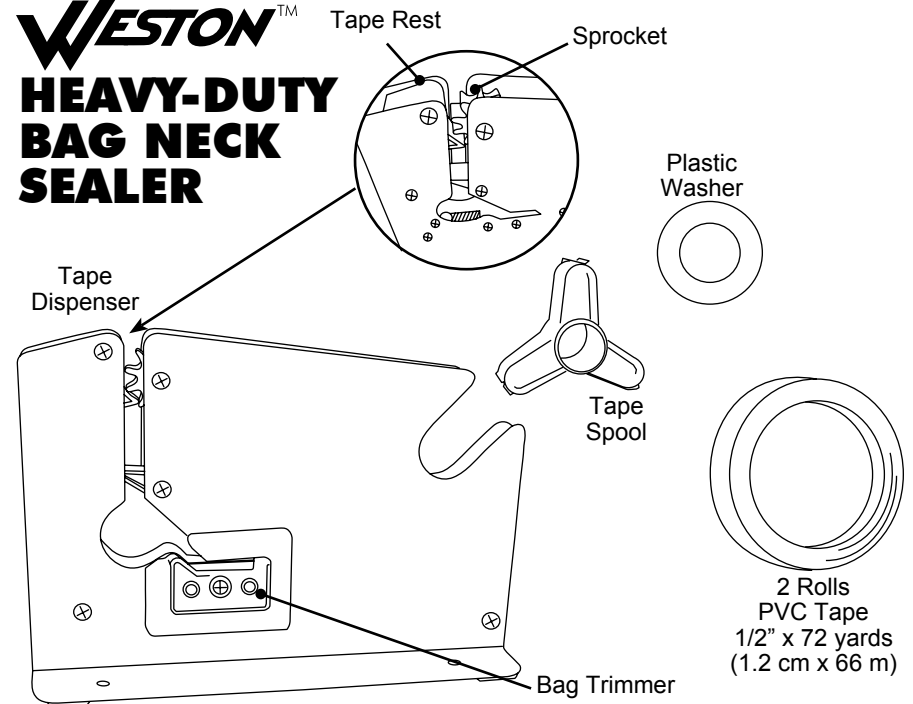
HEAVY-DUTY BAG NECK SEALER

Model No. 07-1101-W



REV012210

WESTON™ HEAVY-DUTY BAG NECK SEALER



OPERATING INSTRUCTIONS

The **Bag Neck Sealer** can be mounted to a countertop using 4 screws (*not included*) through the **Mounting Holes** on the **Tape Dispenser** base. *Figure A*

1. Insert the **Tape Spool** into the **PVC Tape**. *Figure A*

2. Place the **Plastic Washer** onto the one side of the **Tape Spool**. *Figure A*

3. Insert the **Tape Spool** into the wide slot at the corner of the **Tape Dispenser** with the **ADHESIVE SIDE** of the **Tape** facing UP.

4. Pull the **Tape** until the end is about 2" (5 cm) past the **Sprocket**. *Figure B*

5. Let the **Tape** rest on the white **Tape Rest** next to the **Sprocket**. *Figure B*

6. When filling the bags, leave enough room so the end can be twisted closed. Hold the end of the bag and the end area of twisting in each hand. *Figure C*

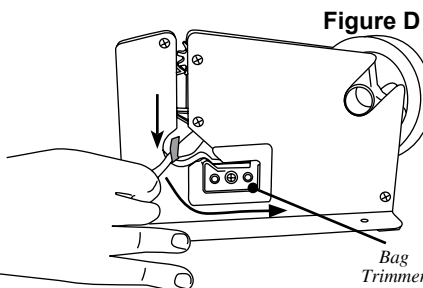
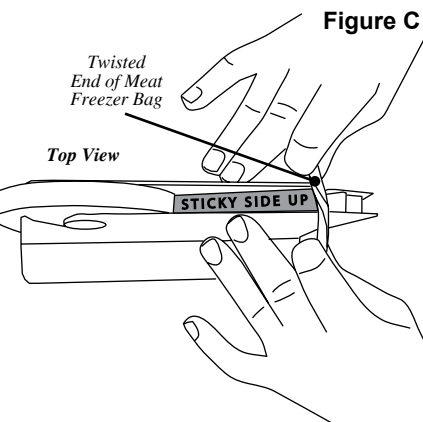
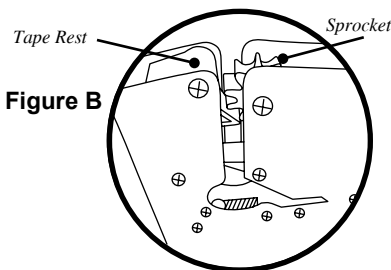
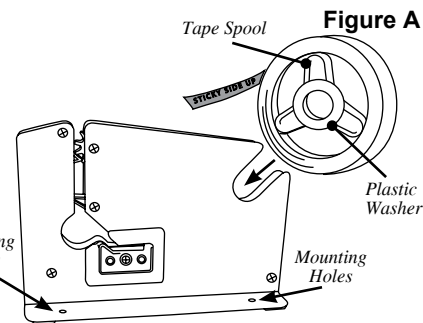
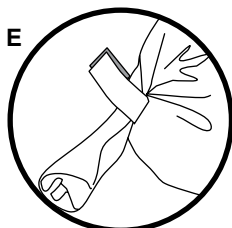
7. Pass the twisted end of the bag down through the narrow, vertical slot and through the **Sprocket** of the **Tape Dispenser** to seal the bag. *Figure D*

8. In the same motion, pass the excess, twisted bag area through and down the **Bag Trimmer** to trim the end of the bag. *Figure E*

NOTE: The first bag may not seal properly after installing a new roll of **Tape**. A few starter sealing maybe needed.

NOTE: If the **Bag Trimmer** becomes dull, simply unscrew the cover and replace the with a new standard blade.

Figure E



WARRANTY INFORMATION

SAVE THIS WARRANTY INFORMATION FOR YOUR RECORDS!

Pragotrade LLC warrants to the ORIGINAL RETAIL PURCHASER of this product that if operated in accordance with the printed instruction accompanying it, then for a period of 1 year from the date of purchase, the product shall be free from defects in material and workmanship.

The Warranty Card, along with a copy of the original receipt, must be received by Pragotrade LLC within 30 days from purchase date for the warranty to apply. Failure to send the completely filled out Warranty Card, along with a copy of the original receipt, will void the warranty.

The product must be delivered to or shipped freight prepaid to Pragotrade LLC for warranty services, in either its original packaging or similar packaging affording an equal degree of protection. Damage due to shipping is not the responsibility of the company. Pragotrade LLC charges a \$35.00 per hour bench charge. NOTE: No repairs will be started without the authorization of the customer. The return shipping cost to the customer will be added to the repair invoice.

Pragotrade LLC will repair (or at its discretion, replace) the product free of charge, if in the judgment of the company, it has been proven to be defective as to seller's labor and material, within the warranty period.

New or rebuilt replacements for factory defective parts will be supplied for one (1) year from the date of purchase. Replacement parts are warranted for the remainder of the original warranty period.

For non-warranty repairs, contact Pragotrade's Customer Service at 1-800-814-4895 M-F 8am-5pm EST (outside of the United States 440-638-3131) to obtain a Return Authorization Number (RMA Number). Pragotrade will refuse all returns that do not contain this number. **DO NOT RETURN THE UNIT WITHOUT PROPER AUTHORIZATION FROM PRAGOTRADE LLC.**

LIMITATIONS: The warranty is void if the product is used for any purpose other than that for which it is designed. The product must not have been previously altered, repaired, or serviced by anyone else other than Pragotrade LLC. If applicable, the serial number must not have been altered or removed. The product must not have been subjected to accident in transit or while in the customer's possession, misused, abused, or operated contrary to the instructions contained in the instruction manual. This includes failure caused by neglect of reasonable and necessary maintenance, improper line voltage and acts of nature. This warranty is not transferable and applies only to U.S. and Canadian sales.

Except to the extent prohibited by applicable law, no other warranties whether expressed or implied, including warranty merchantability and fitness for a particular purpose, shall apply to this product. Under no circumstances shall Pragotrade LLC be liable for consequential damages sustained in connection with said product and Pragotrade LLC neither assumes nor authorizes any representative or other person to assume for it any obligation or liability other than such as is expressly set forth herein. Any applicable implied warranties are also limited to the one (1) year period of the limited warranty.

This warranty covers only the product and its specific parts, not the food or other products processed in it. **CUT ALONG THE DOTTED LINE AND SEND THE WARRANTY CARD ALONG WITH A COPY OF YOUR ORIGINAL PURCHASE RECEIPT TO:**

Pragotrade LLC
20365 Progress Drive, Strongsville, OH 44149

WARRANTY CARD

SEND THIS CARD ALONG WITH A COPY OF YOUR ORIGINAL PURCHASE RECEIPT

Customer Name: _____

Address: _____

City/State/Zip: _____

Telephone Number: (____) _____

E-Mail Address: _____

Original Date of Purchase: ____/____/____

Product Model #: _____

Serial # (if applicable): _____