



ATTENTION

If any components of this unit are broken,
do not operate properly, or for product returns,
please contact PragoTrade Inc. at

1-800-814-4895

Outside the U.S. call 440-638-3131.

For the online catalog, log onto www.westonsupply.com.

Exclusively imported by PragoTrade Inc. Strongsville, Ohio
www.pragoTrade.com

WESTON
BRAND
STAINLESS STEEL
JERKY SLICER
ELECTRIC GRINDER ATTACHMENT
INSTRUCTIONS
MODEL # 07-3301-W



Grinder Not Included

REV 03/30/07



STAINLESS STEEL JERKY SLICER ELECTRIC GRINDER ATTACHMENT

MODEL # 07-3301-W

COMPONENT LIST

DIAGRAM #	PART DESCRIPTION	CODE
1	Lower Housing	07-3308
2	Top Housing	07-3307
3	Shaft Adapter	07-3213
4	Blade Rack Assembly	07-3302
5	Left Comb	07-3119
6	Right Comb	07-3118
7	Housing Thumbscrews (2)	07-3166
8	Electric Grinder Adapter	07-3202
9	Chute	07-3182
10	#32 Electric Grinder Adapter	07-3203
11	Shaft Adapter Set Screw	07-3187
12	Stainless Steel Tongs	07-3151
13	Nylon Bushing	07-3127
14	Screws for Chute (2)	07-3183
15	Allen Wrench for Set Screws	07-3186
16	Allen Wrench for Chute/Adapter	07-3178
17	Shaft Clip (2)	07-3165
18	Adapter Mounting Bolts (2)	07-3188

If any components of this unit are broken or the unit does not operate properly, call Pragotrade Inc. Toll Free at

1-800-814-4895

Monday thru Friday 8:00am-5:00pm EST.
Outside the U.S. call 440-638-3131

WARRANTY INFORMATION

SAVE THIS WARRANTY INFORMATION FOR YOUR RECORDS!

Pragotrade Inc. warrants to the ORIGINAL RETAIL PURCHASER of this product that if operated in accordance with the printed instruction accompanying it, then for a period of 1 year from the date of purchase, the product shall be free from defects in material and workmanship.

The Warranty Card, along with a copy of the original receipt, must be received by Pragotrade Inc. within 30 days from purchase date for the warranty to apply. Failure to send the completely filled out Warranty Card, along with a copy of the original receipt, will void the warranty.

The product must be delivered to or shipped freight prepaid to Pragotrade Inc. for warranty services, in either its original packaging or similar packaging affording an equal degree of protection. Damage due to shipping is not the responsibility of the company. Pragotrade Inc. charges a \$35.00 per hour bench charge. NOTE: No repairs will be started without the authorization of the customer. The return shipping cost to the customer will be added to the repair invoice.

Pragotrade Inc. will repair (or at its discretion, replace) the product free of charge, if in the judgment of the company, it has been proven to be defective as to seller's labor and material, within the warranty period.

New or rebuilt replacements for factory defective parts will be supplied for one (1) year from the date of purchase. Replacement parts are warranted for the remainder of the original warranty period.

For non-warranty repairs, contact Pragotrade's Customer Service at 1-800-814-4895 M-F 8am-5pm EST (outside of the United States 440-638-3131) to obtain a Return Authorization Number (RMA Number). Pragotrade will refuse all returns that do not contain this number. **DO NOT RETURN THE UNIT WITHOUT PROPER AUTHORIZATION FROM PRAGOTRADE USA, INC.**

LIMITATIONS: The warranty is void if the product is used for any purpose other than which it is designed. The product must not have been previously altered, repaired, or serviced by anyone else other than Pragotrade Inc. If applicable, the serial number must not have been altered or removed. The product must not have been subjected to accident in transit or while in the customer's possession, misused, abused, or operated contrary to the instructions contained in the instruction manual. This includes failure caused by neglect of reasonable and necessary maintenance, improper line voltage and acts of nature. This warranty is not transferable and applies only to U.S. and Canadian sales.

Except to the extent prohibited by applicable law, no other warranties whether expressed or implied, including warranty merchantability and fitness for a particular purpose, shall apply to this product. Under no circumstances shall Pragotrade Inc. be liable for consequential damages sustained in connection with said product and Pragotrade Inc. neither assumes nor authorizes any representative or other person to assume for it any obligation or liability other than such as is expressly set forth herein. Any applicable implied warranties are also limited to the one (1) year period of the limited warranty.

This warranty covers only the product and its specific parts, not the food or other products processed in it. **CUT ALONG THE DOTTED LINE AND SEND THE WARRANTY CARD ALONG WITH A COPY OF YOUR ORIGINAL PURCHASE RECEIPT TO:**

**Pragotrade Inc.
20365 Progress Drive, Strongsville, OH 44149**

WARRANTY CARD

SEND THIS CARD ALONG WITH A COPY OF YOUR ORIGINAL PURCHASE RECEIPT

Customer Name: _____

Address: _____

City/State/Zip: _____

Telephone Number: (_____) _____

E-Mail Address: _____

Original Date of Purchase: ____/____/____

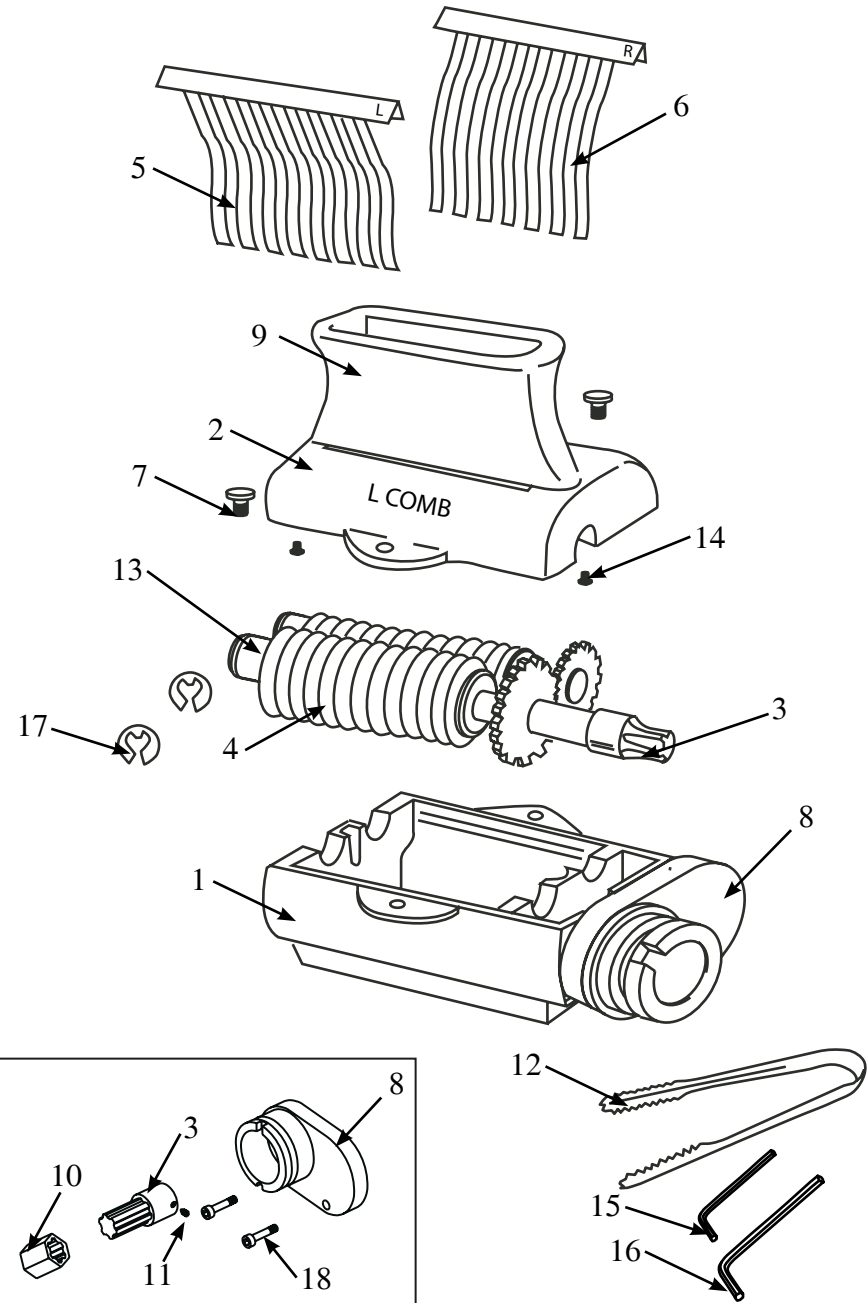
Product Model #: _____

Serial # (if applicable): _____



Weston Brand products deliver the finest quality from around the world to U.S. consumers. Weston offers a full line of meat processing equipment including meat grinders, grain mills, butchering tools, hamburger presses and papers, sausage supplies, casings, seasonings and marinade injectors. For the kitchen, Weston offers kitchenwares such as pasta machines, tomato strainers, vacuum bags and kitchen scales to name a few. Don't forget the maintenance products to extend the life of your new appliances. Weston Brand Silicone Spray is a must! A full line of Weston Brand products can be found at www.westonsupply.com.

For the hunter or fisherman in the family, Weston Gear offers a line of hunting and fishing equipment to top them all! From chum grinders to dial scales for the field, Weston Gear is sure to be a hit with the outdoors man in your life. A full line of Weston Gear products can also be found at www.westonsupply.com.



To place an order, call Pragotrade Inc.
 Customer Service Toll Free at
1-800-814-4895
 Monday thru Friday 8:00am-5:00pm EST.
 Outside the U.S. call 440-638-3131
 Fax: 440-638-3127

or visit www.westonsupply.com
 Weston Brand is a division of
 Pragotrade Inc. 20365 Progress Drive, Strongsville, Ohio 44149

Thank you for purchasing a Weston Brand Jerky Slicer Electric Grinder Attachment!
 We are sure that you will be pleased with your purchase. Please take a few moments to go over these instructions to ensure you get the most out of this product.

DIRECTIONS FOR USE

BE SURE TO FOLLOW ALL SAFETY WARNINGS AND PRECAUTIONS THAT ARE CONTAINED IN YOUR GRINDER INSTRUCTION MANUAL BEFORE USING THE CUBER / TENDERIZER ATTACHMENT WITH THE ELECTRIC GRINDER! NEVER LEAVE MACHINE UNATTENDED!

1. Be sure the metal **Combs** are inserted into the **Top Housing**.
2. Do not slice meat that is more than 1" thick as product may get lodged in **Blades**, possibly causing damage to the **Blades**. **NOTE:** If meat gets jammed in the machine, **DISCONNECT THE GRINDER FROM THE POWER SOURCE** and make certain that all moving parts have stopped, then remove the **Top Housing** to clear the jam.

NEVER run the grinder in reverse to clear a jam!

3. Connect the grinder to the power source and turn the grinder "ON".
4. Insert the meat to be sliced into the mouth of the **Chute** until the meat comes into contact with the **Blades**.

CAUTION! The meat will be pulled through by the **Blades**. **DO NOT press the meat through with your fingers or any other objects.** Personal injury or damage to the grinder and **Slicer** will result. If the piece of meat to be sliced is too short to reach the **Blades**, use the provided **Stainless Steel Tongs** to get the meat started in the **Blade Racks**. **Do Not Force The Meat! DO NOT push the Tongs or any utensils into the Blade Racks.**

5. It may be necessary to pass the meat through several times to achieve the desired results. You may also want to pass the meat through at different angles if a different result is desired.
6. When finished slicing, **ALWAYS UNPLUG GRINDER FROM THE POWER SOURCE.**

Clean the machine using the "Disassembly/Cleaning Instructions" after every use.

DISASSEMBLY & CLEANING INSTRUCTIONS

1. **ALWAYS** disconnect grinder from the powersource before attempting to clean or disassemble!
2. Keep children at a safe distance from machine while cleaning or operating.
3. Remove the **Combs** from the **Top Housing** by lifting up on **Combs**.
4. Remove the two **Thumbscrews** from the **Top Housing**.
5. Remove the **Top Housing**. **WARNING!** *This will expose the Cutting Blades. Take care when handling the Blade assembly.*
6. Using the provided **Allen Wrench**, remove the **Chute** from the **Top Housing**.
7. Carefully lift the **Blade** assembly from the **Lower Housing**. **NOTE:** There is no need to remove the **Electric Grinder Adapter**.
8. Wash all parts thoroughly with hot water and mild dishwashing liquid. A long bristle brush is recommended for cleaning the **Blade** assembly. Take extra care when handling the **Blade Racks**.
9. Allow all parts to dry thoroughly before re-assembling.



WARNING!
Protective/cut-resistant
Kevlar Gloves are
recommended
whenever handling the
Blade assembly!

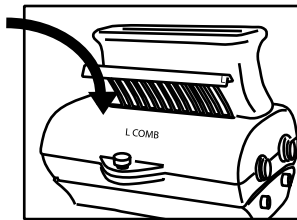
ASSEMBLY INSTRUCTIONS

BE SURE TO FOLLOW ALL SAFETY WARNINGS AND PRECAUTIONS THAT ARE CONTAINED IN YOUR GRINDER INSTRUCTION MANUAL BEFORE USING THE SLICER ATTACHMENT WITH THE ELECTRIC GRINDER! NEVER LEAVE THE MACHINE UNATTENDED!

1. If not already attached, install the **Shaft Adapter** onto the end of the **Driving Blade Rack Shaft**. **NOTE:** To install the **Shaft Adapter**, loosen the **Shaft Adapter Set Screw** using the supplied **Allen Wrench**. Slide the **Shaft Adapter** onto **Drive Blade Rack Shaft** and retighten **Set Screw**.
2. Install the **Chute** to the **Top Housing** using an **Allen Wrench** and **Screws**.
3. Insert the **Blade Rack Assembly** into the **Lower Housing**, guiding the **Shafts** into the bearing journals. **NOTE:** When installing the **Blade Rack Assembly**, you must position the drive shaft with the **Shaft Adapter** through the hole in the electric grinder adapter before seating into the bearing journals.
4. Position the **Top Housing** onto the **Lower Housing** and line up the screw holes.
5. Secure the **Top Housing** to the **Lower Housing** using the **Housing Thumbscrews**. **DO NOT OVERTIGHTEN!**
6. Insert the **Left Comb** and **Right Comb** into the **Top Housing**. *Figure 1*



Figure 1



NOTE: The **Left Comb** is marked with an "L" on the upper portion of the **Comb**. The **Top Housing** is marked with an "L Comb" and "R Comb" to aid in **Comb** installation.

ATTACHING TO THE GRINDER

BE SURE TO FOLLOW ALL SAFETY WARNINGS AND PRECAUTIONS THAT ARE CONTAINED IN YOUR GRINDER INSTRUCTION MANUAL BEFORE USING THE SLICER ATTACHMENT WITH THE ELECTRIC GRINDER! NEVER LEAVE MACHINE UNATTENDED!

1. ALWAYS disconnect the grinder from the power source.
2. Unscrew the head locking knob (turn counter-clockwise) on the electric grinder until the end of the threads are no longer protruding into the grinder output housing.
3. Line up the grinder pin with the notch on the electric grinder adapter. Line up the **Shaft Adapter** splines with the grinder output housing. *Figure 2* **NOTE:** For #32 grinder users, you will have to place the #32 Adapter on the end of the **Shaft Adapter** before installing to Grinder.
4. Be sure the **Slicer Attachment** is fully seated into the grinder. **NOTE:** You may have to reposition the **Slicer Shaft** splines so that they match up with the grinder output shaft. Make sure the grinder head locking knob lines up with the groove in the side of the Electric Grinder Adapter.
5. Once the **Slicer Attachment** is properly positioned on to the electric grinder, tighten the grinder head locking knob.

Figure 2

Slicer Attachment

